

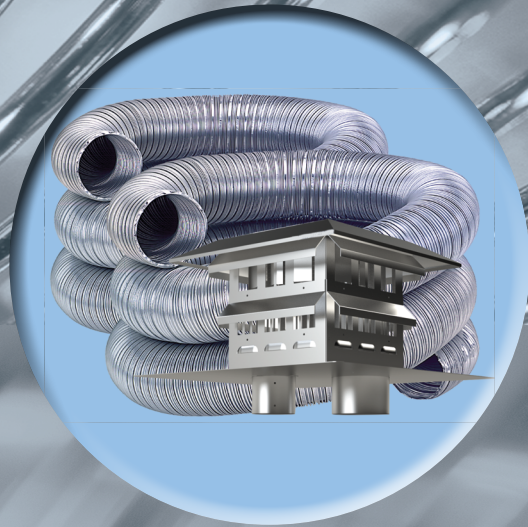


# Direct Vent Kits

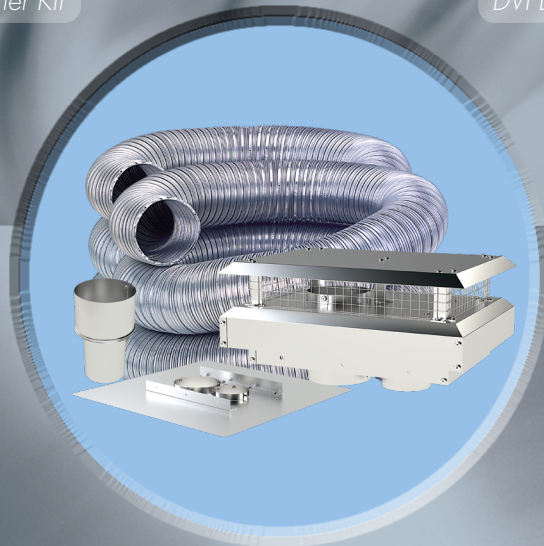
## DVI Dimensional Data



*DVI Extreme Weather Kit*



*DVI Decorative Kit*



*DVI Low Profile Kit*

For Co-Linear Venting of Gas Fireplaces or Inserts

### Applications

Direct Vent Kits (DVI) are used to co-linearly vent natural or propane gas fired direct vent fireplaces or inserts certified to ANSI Z21.88/CSA 2.33 standards.

### Construction

Co-Linear Aluminum Flex with Triple Lock Seams:

Flex vents flue gases to outdoors, or supplies combustion air from outdoors.

Please visit [GA DVI DVK Submittal](#) for additional information.

#### Terminations

Aluminum

### Clearances

Consult appliance manufacturer's installation instructions.

### Co-Linear Diameters (Outlet/Inlet in inches)

3/3 or 4/3

### Lengths (in feet)

35' or custom lengths

### Listings

UL listed to UL2112 & ANSI Z21.88/CSA2.33 standards.

### Available Kits

Please visit [DVI Co-Linear Brochure](#) for complete listing of kits and their contents.

*Additional parts/kits available upon request.*

# Direct Vent Kits

## DVI Dimensional Data

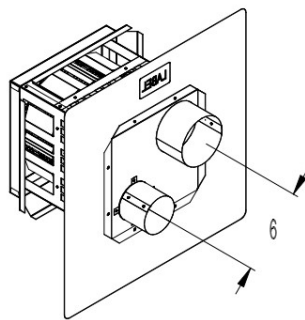
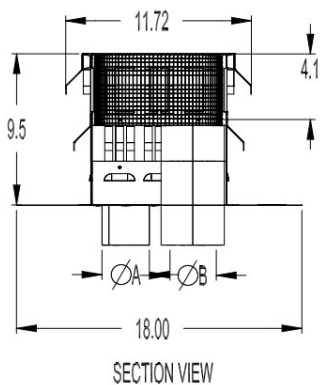
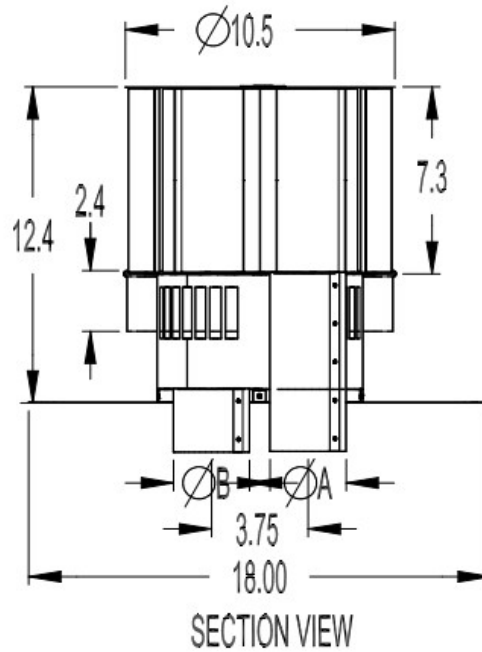
Decorative Cap/Flashing	1
Extreme Weather Cap/Flashing	1
Low Profile Cap	2
Flashing	2
Connector	3

# Direct Vent Kits

DVI Dimensional Data

## Extreme Weather Cap/Flashing

A Outlet	B Inlet	Part Number	Included in Kits
3	3	2DVCLTERM33	Included in 2DVI_X
4	3	2DVCLTERM34	Included in 2DVI_X



## Decorative Cap/Flashing

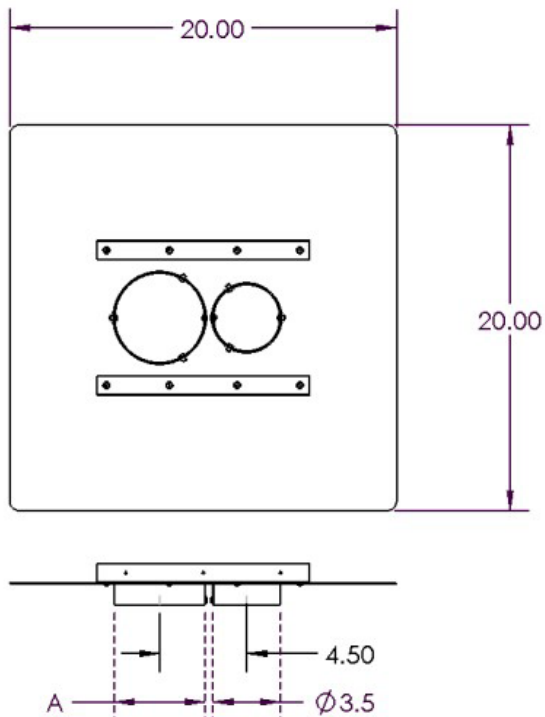
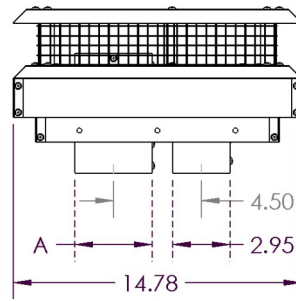
A Outlet	B Inlet	Part Number	Included in Kits
3	3	2DVCLTERM33P	Included in 2DVI_D
4	3	2DVCLTERM34P	Included in 2DVI_D

# Direct Vent Kits

DVI Dimensional Data

## Low Profile Cap

A Outlet	Part Number	Included in Kits
2.95	2DVCLTERM33LP	2DVI335LP
3.95	2DVCLTERM34LP	2DVI435LP



## Flashing

A Outlet	Part Number	Included in Kits
3.7	2DVCLF33P	2DVI335LP
4.7	2DVCLF34P	2DVI435LP

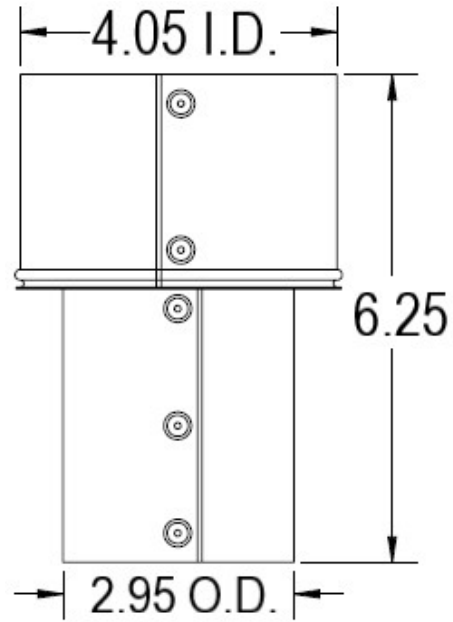


# Direct Vent Kits

DVI Dimensional Data

## Connector

Part Number	Included in Kits
2DVCLC43LP	2DVI435LP





20 Commerce Park North  
Bedford, New Hampshire 03110-6911  
tel: 603.669.5136 fax: 603.669.0309

452 Attwell Drive  
Etobicoke, ON M9W 5C3  
tel: 416.679.0045 fax: 416.679.0051

[www.z-flex.com](http://www.z-flex.com) email [sales@z-flex.com](mailto:sales@z-flex.com)